



## Media changing



I.L.S. GmbH & Co. KG  
Im Weinfeld 1  
36148 Kalbach  
GERMANY

Tel. +49 6655 9860096  
Fax +49 6655 9860099

[info@ils-lackiersysteme.de](mailto:info@ils-lackiersysteme.de)  
[www.ils-lackiersysteme.de](http://www.ils-lackiersysteme.de)

## Contents

### **Media changers**

Medium changer Standard Page 3

Medium changer New Page 4

Medium changer Star Page 5

Medium changer Inline Page 6

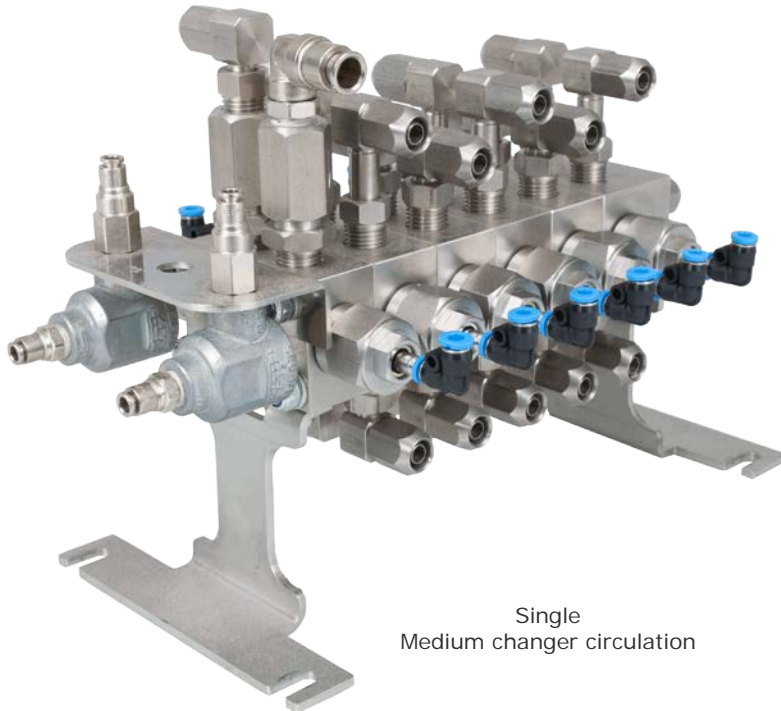
**Power Cleaner** Page 7

**2K-Mixer** Page 8 – 9

**Switching valve unit** Page 10



## Medium changer Standard



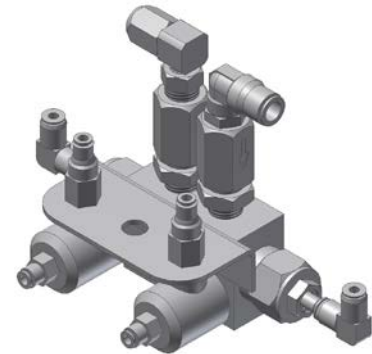
Single  
Medium changer circulation

### Key Facts

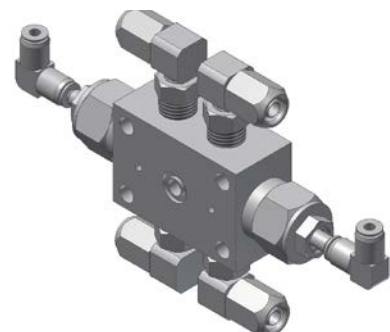
- Fast and efficient flush-or medium change cycle
- Minimum use of cleaning agent  
Fittings as well as connection seats in the valve blocks are designed to be free of any undercut. This consequent avoidance of lairs in the complete system allows the fast flushing of the paint system with sparing use of cleaning agent by excellent results.
- Flexible, modular design, 2-fold medium units  
The basic models are  
Single line (dead end)  
Single line (circulation)  
Double (A/B) (dead end)  
Double (A/B) (circulation)
- Needle valves or cage valves with or w/o switch indication
- High quality in stainless steel
- High durability
- Easy maintenance
- Easy installation
- Integrated air-solvent unit or optional Power cleaner

### Technical Data

Number of media:	variabel, 1 up to > 30 media possible
Medium channel:	Ø 6 mm
Medium connections:	4 x 6 up to 9 x 12 standard (other dimensions on request)
Material:	Stainless steel (1.4305)
Medium types:	Waterbased- and solvent based media
Cleaning:	Cleaning of central channel during each change, integrated air/solvent unit for the cleaning process
Dimension 2-fold	
Medium unit circulation:	ca. 160 mm x 100 mm x 30 mm
Weight 2-fold	
Medium unit circulation:	ca. 640 g



Air / Solvent unit



2-fold medium unit circulation



## Medium changer

New

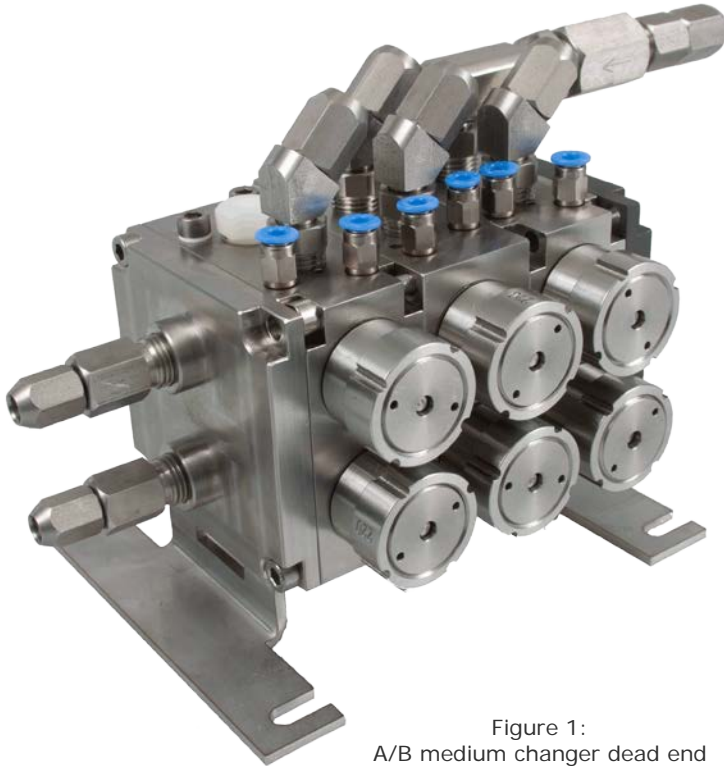


Figure 1:  
A/B medium changer dead end

### Key Facts

- Fast and efficient flush-or medium change cycle
- Established as hardener changer
- Minimum use of cleaning agent  
Fittings as well as connection seats in the valve blocks are designed to be free of any undercut. This consequent avoidance of lairs in the complete system allows the fast flushing of the paint system with sparing use of cleaning agent by excellent results.
- Flexible, modular design, 2-fold medium units  
The basic models are
  - Single line (dead end)
  - Single line (circulation)
  - Double (A/B) (dead end)
  - Double (A/B) (circulation)
- Needle valves with switch indication
- High quality in stainless steel
- High durability
- Easy maintenance
- Easy installation
- Integrated air-solvent unit or optional Power cleaner

### Technical Data

Number of media:	variabel, 1 up to > 30 media possible
Medium channel:	Ø 6 mm
Medium connections:	4 x 6 up to 9 x 12 standard (other dimensions on request)
Material:	Stainless steel (1.4305)
Medium types:	Waterbased- and solvent based media
Cleaning:	Cleaning of central channel during each change, integrated air/solvent unit for the cleaning process
Dimension (figure 1) 2-fold A/B medium unit:	ca. 140 mm x 120 mm x 30 mm
Weight (figure 1) 2-fold A/B medium unit:	ca. 1540 g

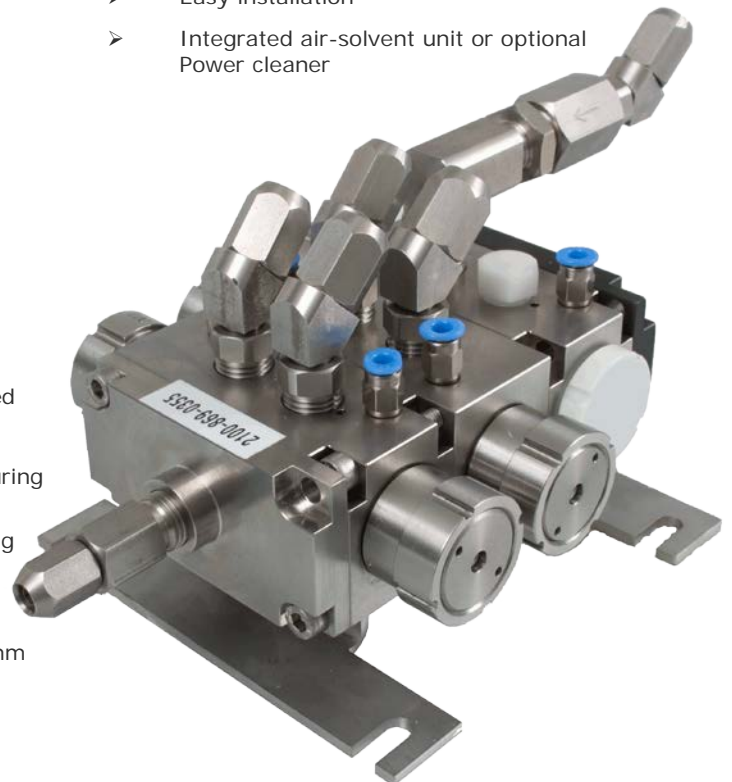
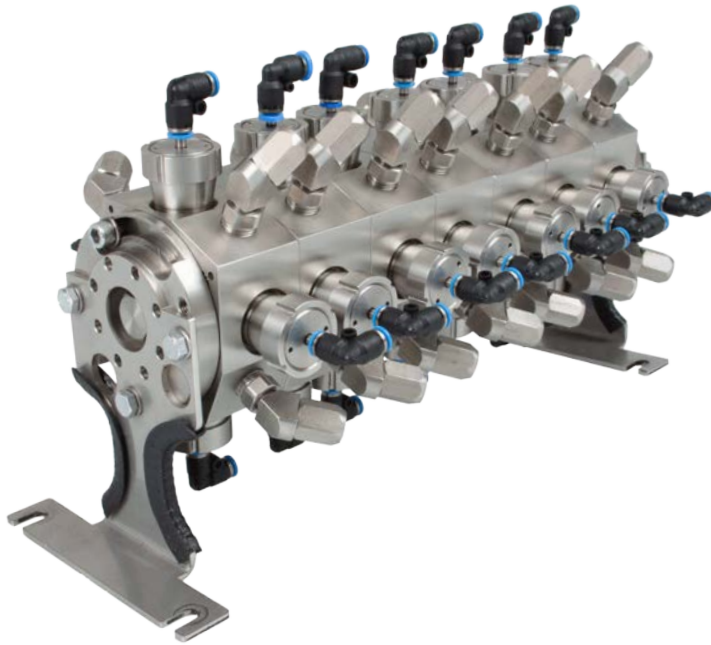


Figure 2:  
Single medium changer dead end



## Medium changer Star



### Key Facts

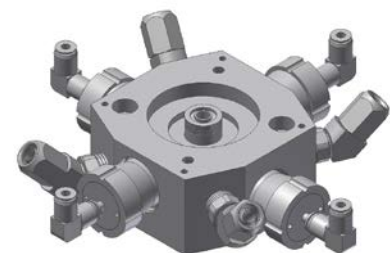
- Fast and efficient flush-or medium change cycle
- Minimum use of cleaning agent  
Fittings as well as connection seats in the valve blocks are designed to be free of any undercut. This consequent avoidance of lairs in the complete system allows the fast flushing of the paint system with sparing use of cleaning agent by excellent results.
- Flexible, modular design, 4-fold medium units
- Dead end
- Compact design
- Needle valves with switch indication
- High quality in stainless steel
- High durability
- Easy maintenance
- Easy installation
- Integrated air-solvent unit or optional Power cleaner

### Technical Data

Number of media:	variabel, 1 up to > 30 media possible
Medium channel:	Ø 6 mm
Medium connections:	4 x 6 up to 9 x 12 standard (other dimensions on request)
Material:	Stainless steel (1.4305)
Medium types:	Waterbased- and solvent based media
Cleaning:	Cleaning of central channel during each change, integrated air/solvent unit for the cleaning process
Dimensions	
4-fold medium unit:	ca. 170 mm x 170 mm x 30 mm
Weight	
4-fold A/B medium unit:	ca. 1760 g



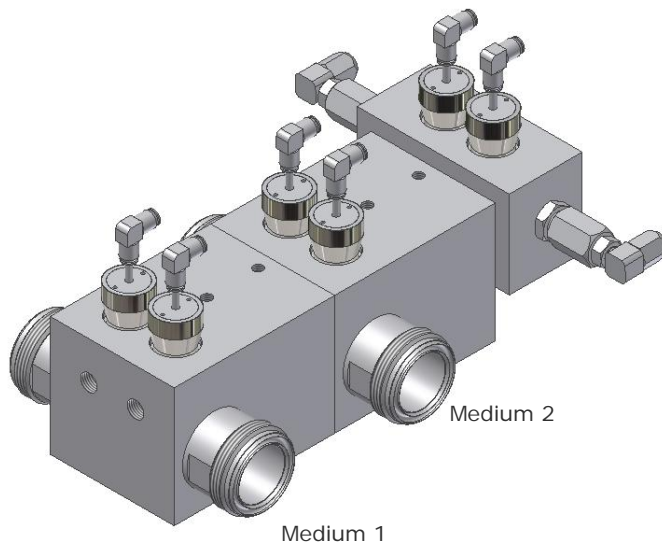
Air / Solvent unit



4-fold medium unit



## Medium changer Inline



A/B-System  
2 Media, air / solvent unit

### Key Facts

- Fast and efficient flush-or medium change cycle
- Pigable
- Minimum use of cleaning agent  
Fittings as well as connection seats in the valve blocks are designed to be free of any undercut. This consequent avoidance of lairs in the complete system allows the fast flushing of the paint system with sparing use of cleaning agent by excellent results.
- Flexible, modular design, 1-fold medium units  
The basic models are  
Dead end, Ø 8 – 18 mm, A-System  
Dead end, Ø 20 – 32 mm, A/B-System
- Needle valves or cage valves with or w/o switch indication
- High quality in stainless steel
- High durability
- Easy maintenance
- Easy installation
- Integrated air-solvent unit or optional Power cleaner

### Technical Data

Number of media:	variabel, 1 up to > 30 media possible
Medium channel:	Ø 6 mm
Medium connections:	4 x 6 up to 9 x 12 standard (other dimensions on request)
Material:	Stainless steel (1.4305)
Medium types:	Waterbased- and solvent based media
Cleaning:	Cleaning of central channel during each change, integrated air/solvent unit for the cleaning process
<b>Dimensions</b>	
1-fold A/B medium unit:	ca. 155 mm x 110 mm x 110 mm
<b>Weight</b>	
1-fold A/B medium unit:	ca. 5900 g



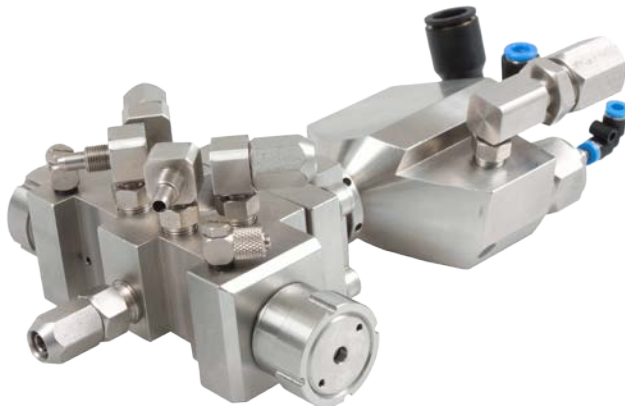
Air / Solvent unit



1-fold medium unit A/B



## Power Cleaner



### Key Facts

- Fast and efficient cleaning results in the medium lines / components
- Solvent and air will be commonly injected in the Power Cleaner. The solvent is atomized over tear-off edges and introduced as finest droplets into the system where they precipitate at the wall of the medium line. Medium deductions become solved, carried away and cleaned by flowing.
- Reducing the cleaning agent up to 80% using solvent based cleaning agent
- Reducing the cleaning agent up to 50% using waterbased cleaning agent
- Short amortization period by saving of solvent, reduction of disposal costs, shortening of rinsing times
- High durability
- Easy maintenance
- Easy installation

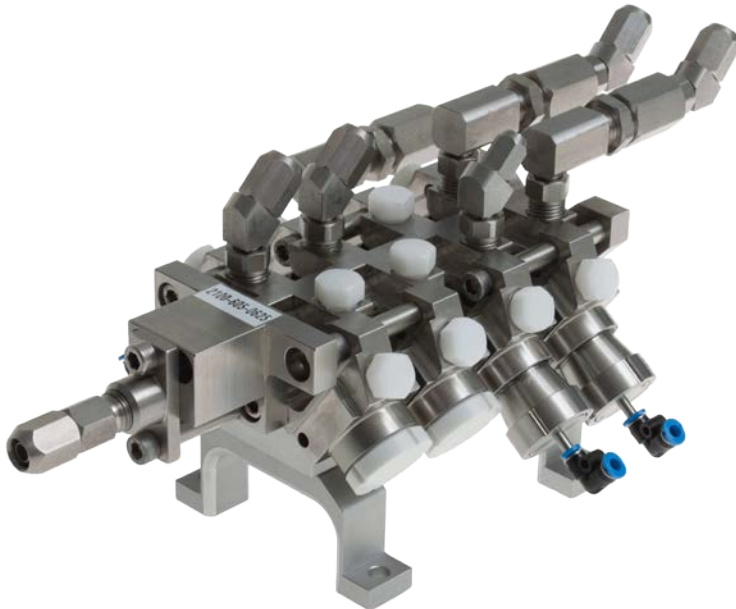
### Technical Data

Material:	Stainless steel (1.4305) Optional Aluminium hartcoated
Medien types:	Waterbased- and solvent based media
Air pressure solvent-atomizing:	5-10 bar Max.
Control air pressure needle:	5 – 8 bar
Control air pressure solvent – valve:	5 - 8 bar
Solvent pressure:	5-10 bar Max.
Medium connections:	G 1/4 Air – Inlet G 1/8 control air needle G 1/8 control air valve G 1/8 solvent
Dimensions w/o valve block:	ca. 125 mm x 80 mm x 60 mm





## 2K - Mixer

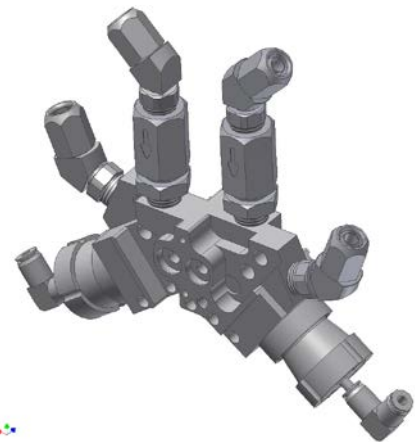


### Key Facts

- Fast and efficient flush-or medium change cycle
- Minimum use of cleaning agent  
Fittings as well as connection seats in the valve blocks are designed to be free of any undercut. This consequent avoidance of lairs in the complete system allows the fast flushing of the paint system with sparing use of cleaning agent by excellent results.
- Flexible, modular design, 2-fold medium units with needle valves
- High quality in stainless steel
- High durability
- Easy maintenance
- Easy installation
- Integrated air-solvent unit or optional Power cleaner

### Technical Data

Number of media:	variabel, 1 up to > 30 media possible
Medium channel:	Ø 6 mm
Medium connections:	4 x 6 up to 9 x 12 standard (other dimensions on request)
Material:	Stainless steel (1.4305)
Medium types:	Waterbased- and solvent based media
Cleaning:	Cleaning of central channel during each change, integrated air/solvent unit for medium and hardener
<b>Dimensions</b>	
2-fold medium unit:	ca. 170 mm x 170 mm x 30 mm
<b>Weight</b>	
2-fold medium unit:	ca. 640 g



Air / Solvent unit



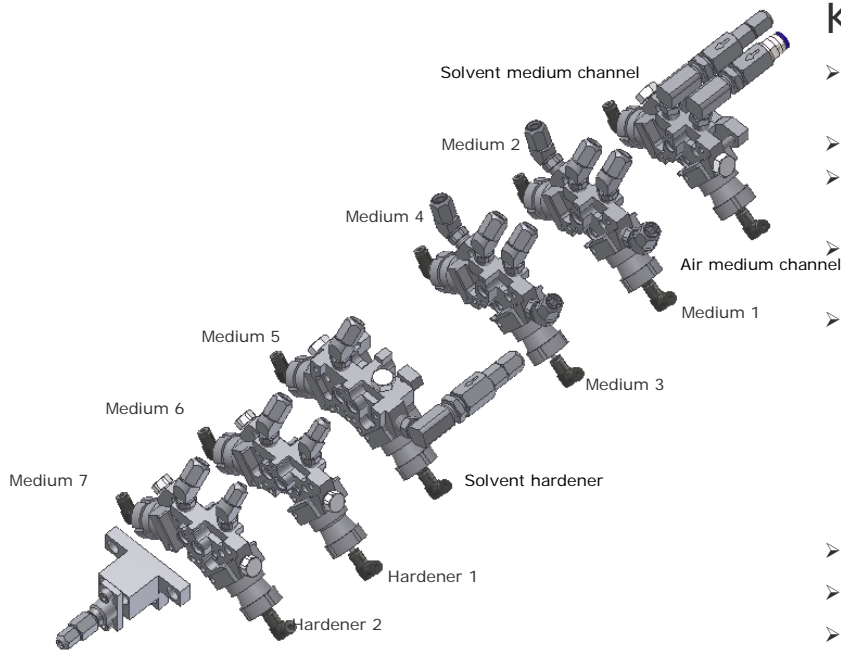
2-fold medium unit





## 2K - Mixer

Option: Adapter from 2K-elements on medium-elements



### Key Facts

- Flexible, modular design, 2-fold medium units with needle valves
  - Shorter design
  - Weight reduction because of fewer 2fold- medium units
  - Fast and efficient flush-or medium change cycle
  - Minimum use of cleaning agent
- Fittings as well as connection seats in the valve blocks are designed to be free of any undercut. This consequent avoidance of lairs in the complete system allows the fast flushing of the paint system with sparing use of cleaning agent by excellent results.
- High quality in stainless steel
  - High durability
  - Easy maintenance
  - Easy installation
  - Integrated air-solvent unit or optional Power cleaner



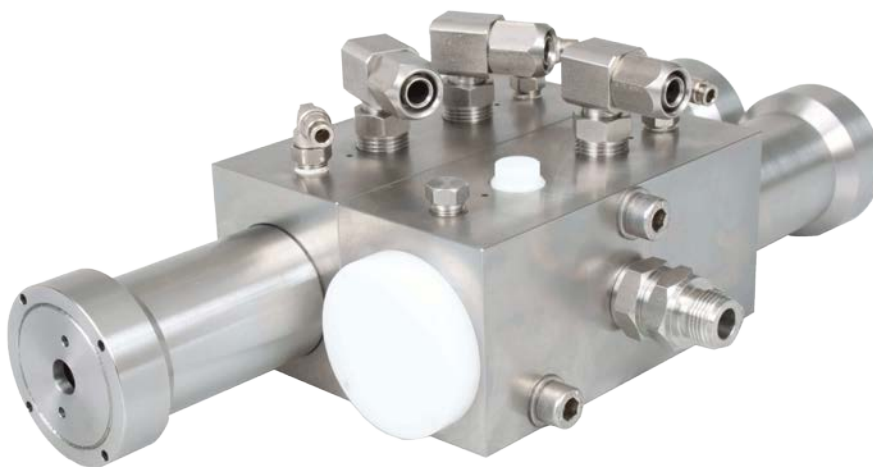
### Example:

Number of media:	7 colors Air / Solvent for colors
Number of 2K-elements:	2 Hardener 1 solvent for hardener
Media channel:	Ø 6 mm
Material connections:	4 x 6 up to 9 x 12 standard (other dimensions on request)
Material:	Stainless steel (1.4305)
Cleaning:	Cleaning of central channel during each change, integrated air/solvent unit for medium and hardener



## Switching valve unit Needle valve technology Ø12 mm

Problems with your pneumatic ball valve?  
Material diversion, dead spot, flushability?  
Valve switch unit DN12 replaces 3/2 and 4/2-way ball valve technology



### Key Facts

- Medium-affecting parts in stainless steel or teflon
- Perfect flushability, no dead spots
- Size DN 12 for large flow capacity and very viscous media
- Approved needle valve technology
- Optional:
  - with air – solvent – unit
  - with pneumatic switching valve
  - with limit switch technology also in the ex - range

### Technical Data

Medium channel:	Ø 12 mm
Medium connections:	4 x 6 up to 9 x 12 standard (other dimensions on request)
Material:	Stainless steel (1.4305)
Medium types:	Waterbased- and solvent based media
Dimensions switching valve unit:	ca. 290 mm x 215 mm x 90 mm
Weight switching valve unit:	ca. 7,50 kg